

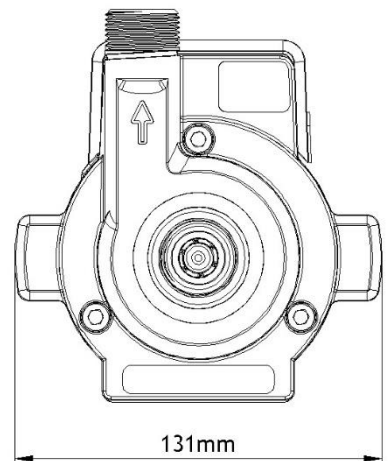
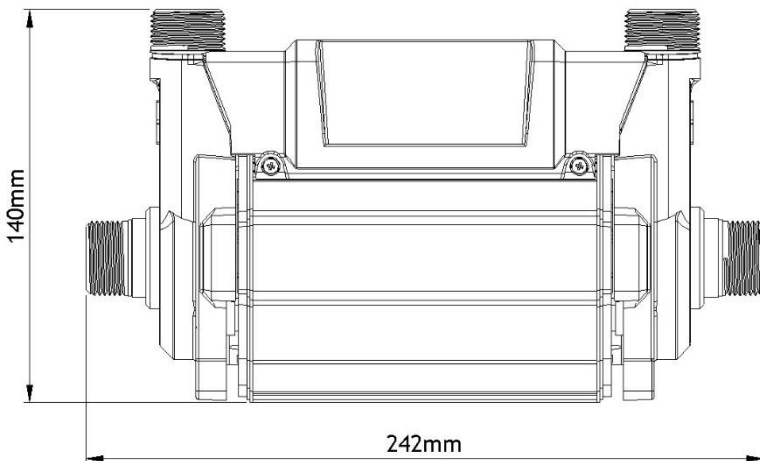
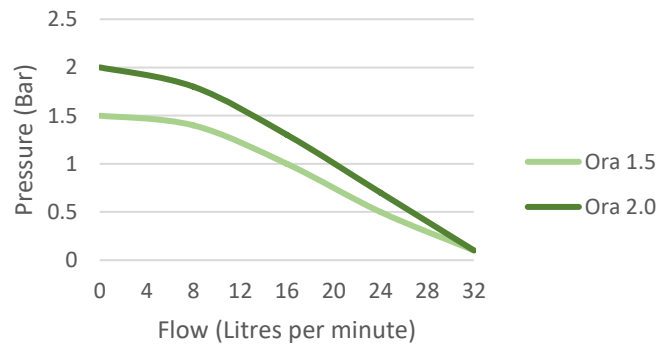
The Ora range from Salamander Pumps will boost the water pressure to showers in a gravity-fed, positive head system. Ora is a twin-ended pump, available in 1.5 or 2.0 bar variants



Features

- 1 Year Warranty
- More Pressure and Flow
- More Compact in size
- Easy to install
- Continuously Rated @ 10lpm
- 15mm Anti Vibration Couplers
- Pre-wired with 1.5 metre power cable
- Anti-vibration feet

Pressure vs Flow



ORA Technical Specification

Pump Model		ORA 1.5	ORA 2.0
General	Guarantee	1 year	
	WRAS approval	TBC	
Features	Pump Type	Centrifugal	
	Mechanical seal	Nitrile/ Carbon/ Ceramic	
	Anti-vibration feet	✓	✓
	Flexible Hoses	4	4
Performance	Pressure @ 16lpm	1.0 Bar	1.2 Bar
	Pressure @ 8lpm	1.4 Bar	1.8 Bar
	Pressure @ Closed Head	1.5 Bar	2.0 Bar
	Maximum Water Temperature	65°C	
Connections	Pump connections	¾" BSP	
	Connections (UK Model)	¾ BSP x 15mm stand pipe couplers – 2 each angled and straight with each pump	
Motor	Duty Rating	Continuously Rated @ 10lpm	
Electrical	Power supply	230 V	
	Current (full load)	1.6 Amps	1.8 Amps
	Power consumption	414 Watts	460 Watts
	Fuse rating	3 Amps	
	Power cable (pre-wired)	1.5 metres	
Physical	Enclosure Protection (IP Rating)	IPX4	
	Length	242	242
	Width	131	
	Height (Excluding Hoses)	140	
	Weight (Excluding Hoses)	2.5	2.5