

Salamander Pumps 

# AquaScan

PRECISE WATER INSIGHT



**Digital Water Multimeter**

## CONTENTS

INTRODUCTION	03
WHAT'S IN THE BOX	04
HOW IT WORKS	05
COMMON CONNECTIONS & DIMENSIONS	07



SCAN  
HERE TO  
LEARN  
MORE

## INTRODUCTION

AquaScan is a 4-in-1 digital multimeter designed to precisely measure water flow, pressure, temperature and hardness.

With peak and live measurements, AquaScan provides installers reassurance that their readings are accurate.

The design provides installers with precise diagnostic measurements to support specification, troubleshooting and analysis across a plumbing system.

AquaScan is equipped with a range of accessories and attachments to allow for easy connection to various outlet types, including taps, showers, pipework and hoses.

- ▶ Digital display allows for precise water measurement.
- ▶ Brass body, rubber casing, IPX5 waterproof rating.
- ▶ Supplied in a robust case.
- ▶ A smarter way to measure water performance.
- ▶ 1-year warranty



## WHAT'S IN THE BOX



1x AquaScan unit



1x AquaScan isolation valve



1x Carry case



1x 1m USB-C to USB cable



1x User guide



1x AquaScan results notepad



1x MainsBooster range brochure



1x GravityBooster range brochure



1x 3/4" thread to 1/2" thread adaptor



1x Male and female aerator thread to male hose connector



1x 3/4" female thread to male hose connector



1x 300mm flexible hose with 3/4" male and female connection



1x 3/4" male thread to hose quick connector



1x 3/4" female thread to hose quick connector



1x 3/4" male thread to male hose connector



1x 1/2" male to male connector



1x 22mm pipe push fit to 3/4" male thread



1x Mixer tap hose connector



1x Single tap to male hose connector



1x 15mm pipe push fit to 3/4" male thread



2x 3/4" washer  
2x 1/2" washer



1x Salamander Pumps pen

Please note AquaScan fits most outlet types, however there will be instances where other fittings are needed.

## HOW IT WORKS

### FLOW RATE

AquaScan can be easily connected to an outlet to measure the flow at the outlet, or it can also be used to measure the total incoming flow rate across the property. Offering an accurate measurement when specifying new products, or ensuring optimal system function.

### BATTERY INDICATOR

### TEMPERATURE

Precisely measure the temperature at a range of outlets with AquaScan. The supplied connectors make it simple to connect to taps, showers, pipework and other outlets for system analysis.

### PRESSURE

The supplied isolating valve makes it easy to isolate the water flow and measure both static and dynamic pressure with AquaScan. With peak and live readings, AquaScan can also support system diagnosis and fault finding.

### HARDNESS/TDS

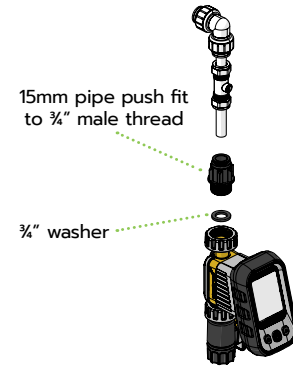
AquaScan measures the total dissolved solids (TDS) in the water in parts per million (PPM) to provide an indication of water hardness and whether a further in-depth analysis of the mineral content within the water is required. High water hardness can cause scale build-up which in turn results in an inefficient system and increased energy consumption.



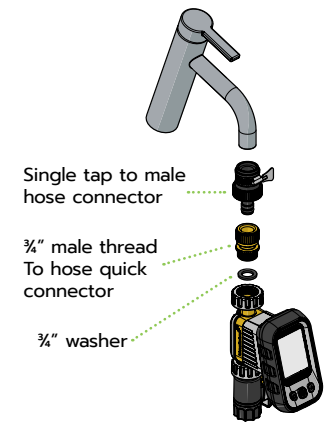


## COMMON CONNECTIONS

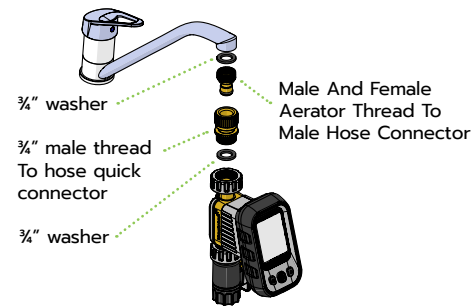
A. 15mm Pipe Connection



B. Single Tap Connection



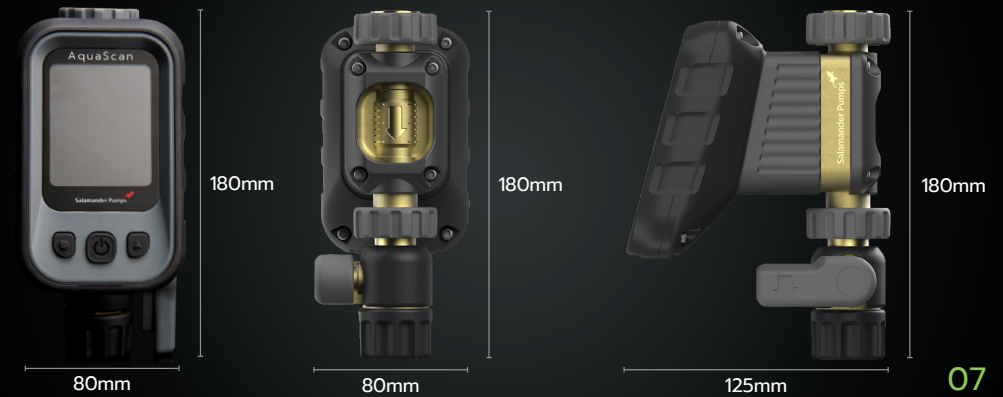
C. Kitchen Tap - Aerator Connection



D. Garden Tap - Direct Connection



## DIMENSIONS



# GET IN TOUCH. WE'RE HERE TO HELP

Unit 2c Colima Avenue  
Enterprise Park West  
Sunderland, SR5 3XE



[salamanderpumps.co.uk](https://www.salamanderpumps.co.uk)



**MADE IN  
BRITAIN** 

Salamander Pumped Shower System Ltd is part of The Davidson Holdings Group. Errors and omissions excepted. Printed August 2024.